


PRODUCT SHEET

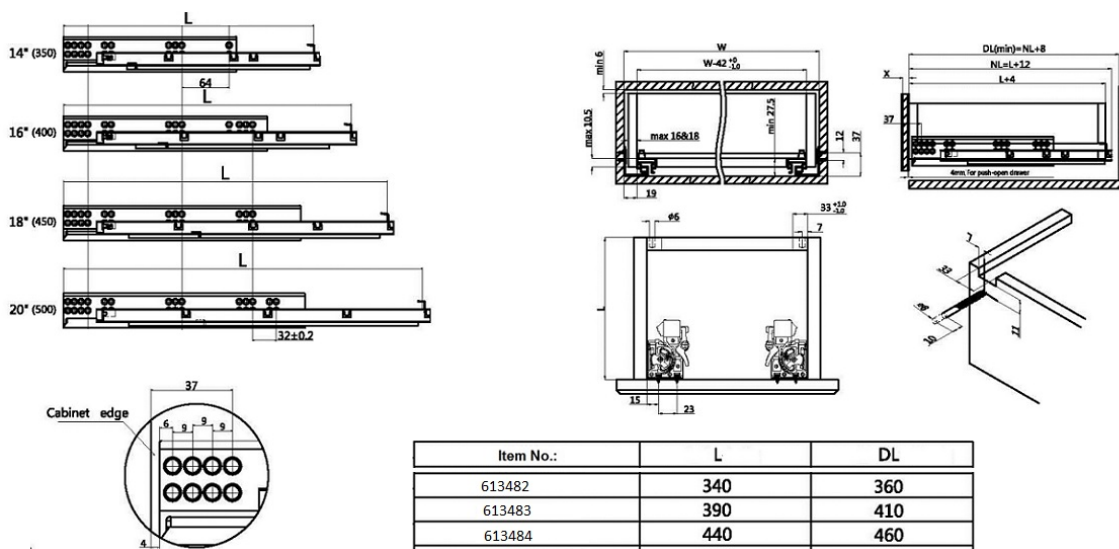
Description:

Invis. Full Ext. Slide, Self Closing, Pre-Zinc, 400mm, W/Quick Release & Inner Dampers

Item number:

16.13.483-0

Units	Box	Carton	HS Code	Barcode
Pair	1	10	8302420090	
				5704866483292



Item No.:	L	DL
613482	340	360
613483	390	410
613484	440	460
613485	490	510

SISO A/S

Mileparken 11
DK-2740 Skovlunde
Denmark
VAT: DK 24786013

Phone +45 45 830 900

www.siso.dk
siso@siso.dk

Danske Bank
Nytorv Branch
Copenhagen
SWIFT: DABADKKK

Account no.
4180 3112 112936
IBAN Account
DK7230003112112936